

# KFC-WPS1000F / KFC-WPS1200F

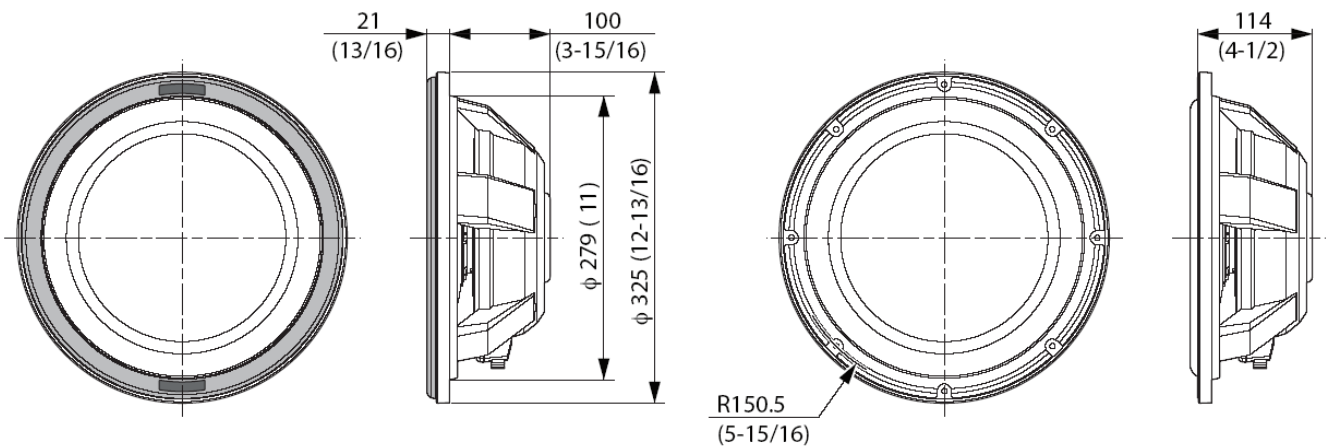
# KFC-XW1000F / KFC-XW1200F

## Specifications

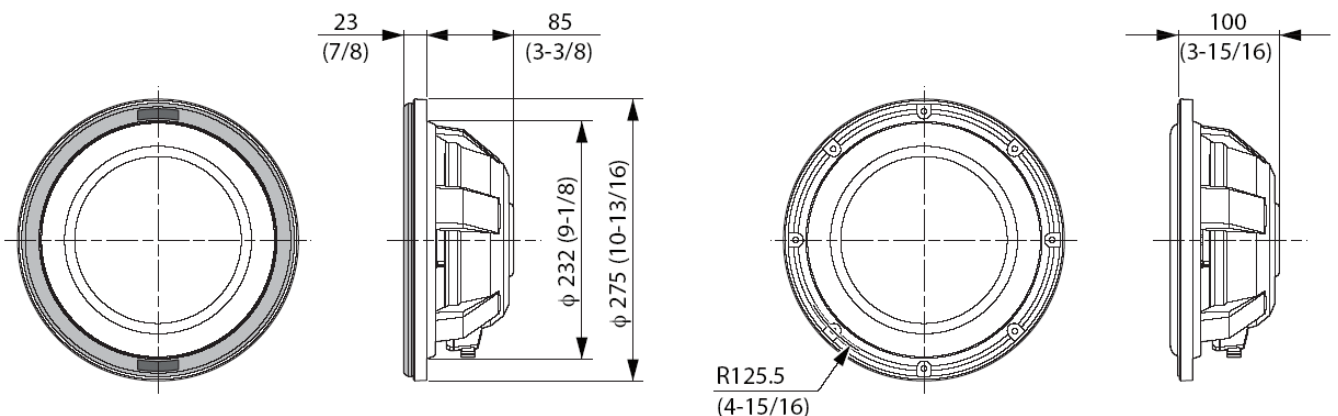
	■ KFC-XW1200F ■ KFC-WPS1200F	■ KFC-XW1000F ■ KFC-WPS1000F
<b>Subwoofer</b>	300 mm (12") Carbon-Glass Fiber Honeycomb Cone	250 mm (10") Carbon-Glass Fiber Honeycomb Cone
<b>Nominal Impedance</b>	4 Ω	4 Ω
<b>Peak Input Power</b>	1,400 W	1,000 W
<b>Rated Input Power</b>	350 W	250 W
<b>Sensitivity</b>	91 dB/W at 1 m	90 dB/W at 1 m
<b>Free Air Resonance</b>	25 Hz	39 Hz
<b>Frequency Response</b>	30-700 Hz	35-800 Hz
<b>Net Weight</b>	7,000 g	4,700 g

## Dimensions

KFC-XW1200F / KFC-WPS1200F



KFC-XW1000F / KFC-WPS1000F



## Technical specifications

# KFC-XW1200F / WPS1200F

	SYMBOL	UNIT	VALUE
Nominal Impedance	Z	$\Omega$	4
DC Resistance	Revc	$\Omega$	3.2
Voice Coil Inductance	Levc	mH	2.8
Piston Area	Sd	sq.m	0.049
Force Factor	BL	T·m	12.93
Volume Acoustic Compliance	Vas	liter	62.69
		cu.ft	2.214
Moving Mass	Mms	g	224.0
Resonance Frequency	Fs	Hz	24.8
Mechanical Q Facto	Qms		2.897
Electrical Q Facto	Qes		0.67
Total Q Facto	Qts		0.544
Peak Power		W	1,400
Peak Excursion	Xmax	mm	8.5
Displacemen		cc	1,740
		cu.ft	0.061
Mounting Depth		mm (in.)	100 (3 - 15/16)
Weight of Magnet		g (oz)	1,370 (48.2)
Voice Coil Diamete		mm (in.)	65 (2 - 9/16)

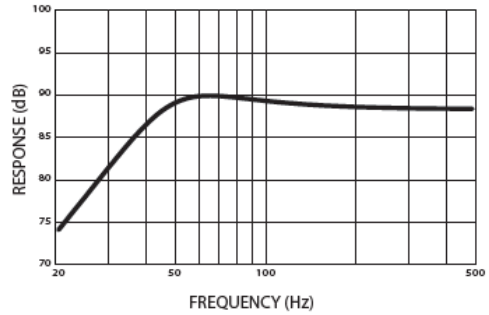
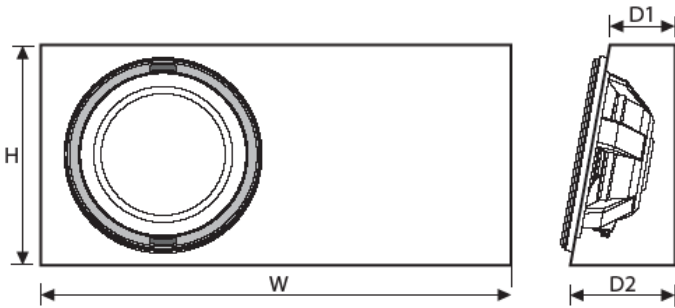
# KFC-XW1000F / WPS1000F

	SYMBOL	UNIT	VALUE
Nominal Impedance	Z	$\Omega$	4
DC Resistance	Revc	$\Omega$	3.0
Voice Coil Inductance	Levc	mH	2.1
Piston Area	Sd	sq.m	0.034
Force Factor	BL	T·m	10.7
Volume Acoustic Compliance	Vas	liter	21.05
		cu.ft	0.744
Moving Mass	Mms	g	127.0
Resonance Frequency	Fs	Hz	38.6
Mechanical Q Facto	Qms		5.279
Electrical Q Facto	Qes		0.84
Total Q Facto	Qts		0.72
Peak Power		W	1,000
Peak Excursion	Xmax	mm	7.5
Displacemen		cc	1,110
		cu.ft	0.039
Mounting Depth		mm (in.)	85 (3 - 3/8)
Weight of Magnet		g (oz)	1,080 (38.0)
Voice Coil Diamete		mm (in.)	50 (1 - 15/16)

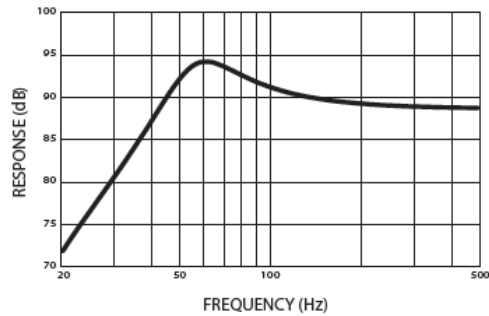
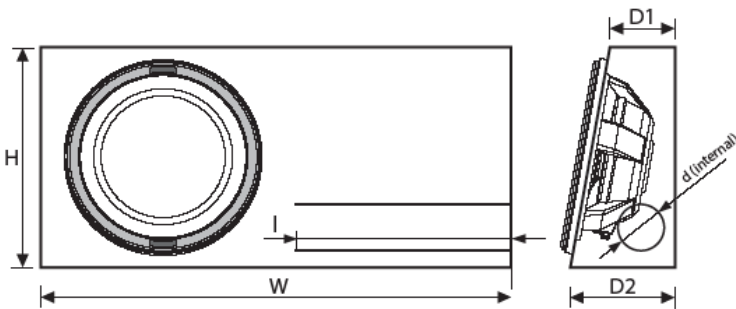
# Recommended Enclosures

## KFC-XW1200F / WPS1200F

### ■ SEALED



### ■ PORTED

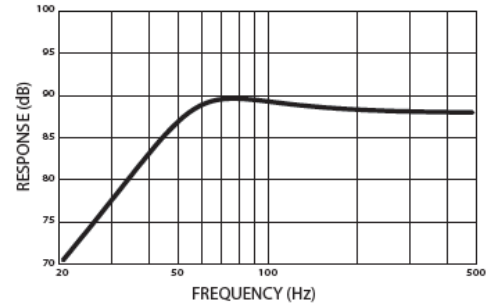
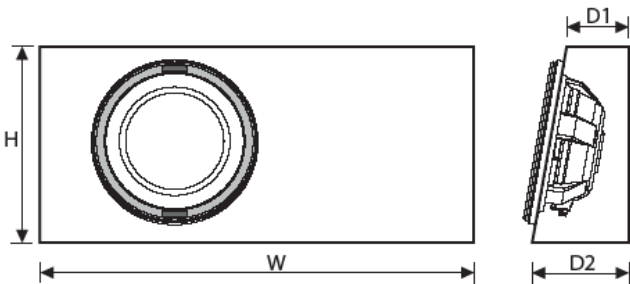


### Recommended Enclosure

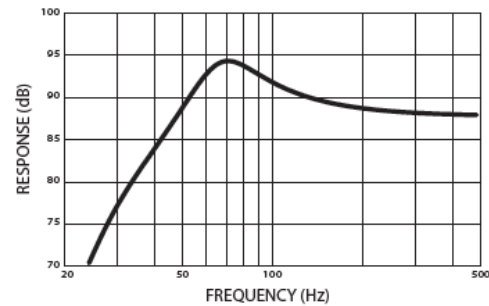
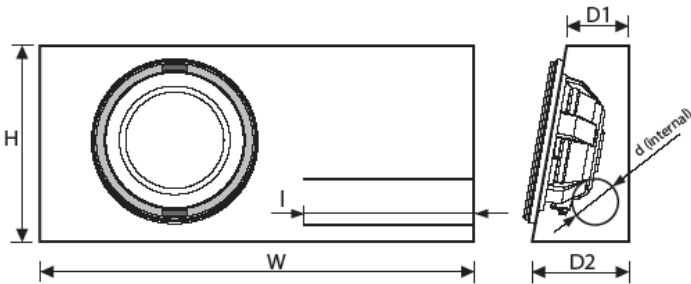
Type	Volume	W	H	D1	D2	Mounting Hole	Port Diameter d	Port Length l	Displacement (cu.ft)
SEALED	0.8 cft (22.6 Liter)	773 (30 - 7/16)	362 (14 - 1/4)	107 (4 - 3/16)	172 (6 - 3/4)	282 (11 - 1/8)	—	—	0.061
PORTED							76 (3)	355 (14)	

## KFC-XW1000F / WPS1000F

### ■ SEALED



### ■ PORTED



### Recommended Enclosure

Type	Volume	W	H	D1	D2	Mounting Hole	Port Diameter d	Port Length l	Displacement (cu.ft)
SEALED	0.6 cft (17.0 Liter)	718 (28 - 1/4)	324 (12 - 3/4)	103 (4 - 1/16)	160 (6 - 5/16)	235 (9 - 1/4)	—	—	0.039
PORTED							76 (3)	280 (11)	